

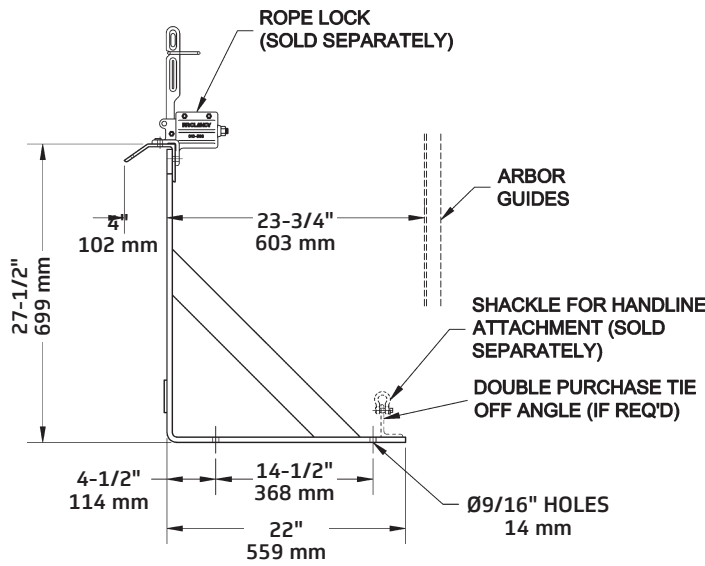
# Locking Rails - J-Guide/T-Bar

- Locking rails support rope locks and the index cards used to identify sets
- Rope locks and index cards are mounted on a 3" x 5" x 1/4" (76 mm x 127 mm x 6 mm) formed, pre-punched steel angle
- Built to withstand a 500 lb per linear foot (744.5 kg/m) up load (RWL)
- Numbered index cards with a safety warning are included; these can be written on using erasable marker or grease pencil
- Mounts to the stage floor; mounting method must be able to withstand the imposed load
- Mounting stanchions are located on 5' (1524 mm) (maximum) centers and made from 1/2" x 3" (13 mm x 76 mm) flat bar
- An optional reaction bar for use with a portable capstan hoist is available
- Three-year warranty against defects in materials or workmanship is provided on all J.R. Clancy equipment, additional warranty information is available at jrclancy.com



**J-Guide/T-Bar Locking Rail**  
**011-538R6**

## Dimensions



## Order Information

Number	Type	Set Centers	Weight
011-538R6	Single Purchase	6" (152 mm)	18 lb/ft (26.75 kg/m)
011-538R8	Single Purchase	8" (203 mm)	18 lb/ft (26.75 kg/m)
011-538D6	Double Purchase	6" (152 mm)	18 lb/ft (26.75 kg/m)
011-538D8	Double Purchase	8" (203 mm)	18 lb/ft (26.75 kg/m)
011-BAR	Reaction Bar	-	6 lb/ft (8.2 kg/m)

**RWL:** RWL is maximum load that can be applied to the locking rail which is in "like new" condition and has been properly installed, maintained, and operated.

